

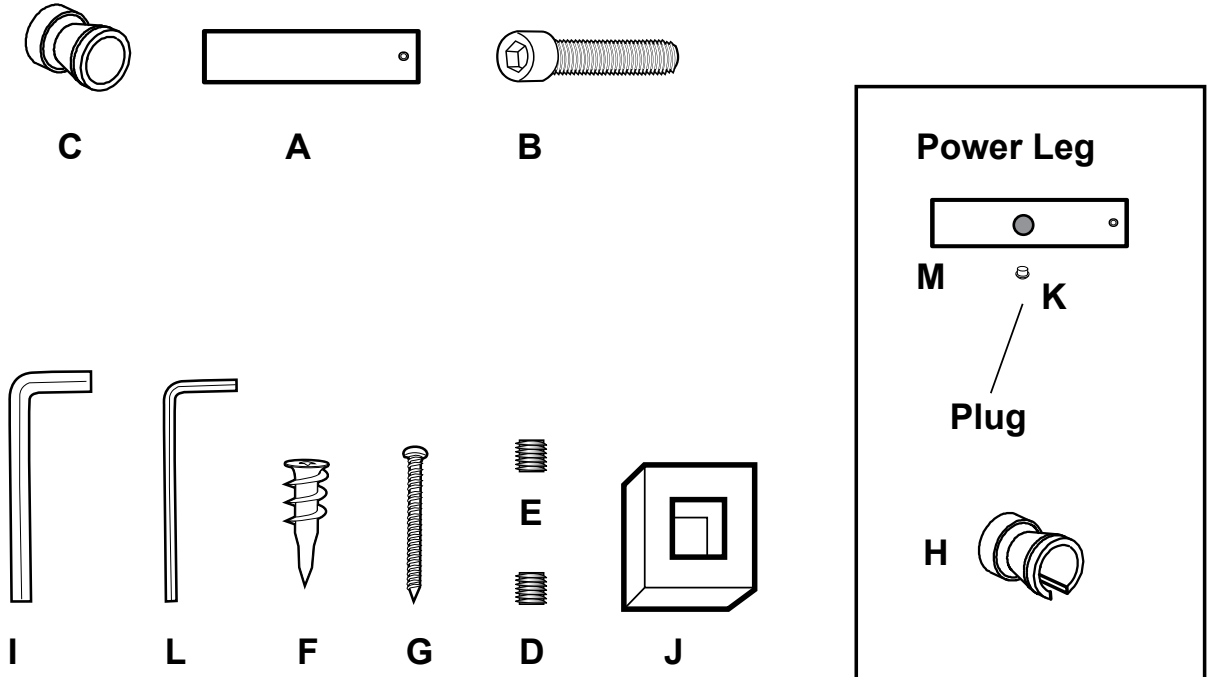
Installation & Operation Manual for WarmlyYours Sierra Dual Connection Towel Warmers



Scan for quick access to
install manuals, product
documentation, videos,
support articles, frequently
asked questions, and more!

Bracket Assembly Instructions (continued)

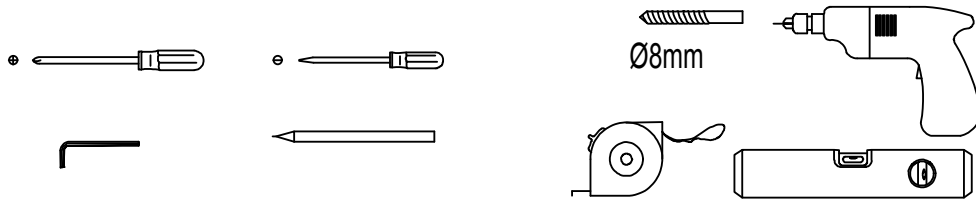
Parts List



Sierra Power Leg			
Part Number	Description	Quantity	Partslist ID
0005-58120-0005	Leg, Mounting, Polished, Square	3	A
0005-58170-0000	Leg, Mounting, Gold, Square	3	A
0005-58180-0002	Leg, Mounting, Black, Square	3	A
0005-58300-0000	Screw, Leg to Rail, M8x20, Socket	3	B
0005-58110-0000	Bracket, Round, Mounting, Full	3	C
0005-58200-0001	Screw, Set, Allen, Socket, M5*6	4	D
0005-58200-0002	Screw, Set, Allen, Socket, M5*6, Power Leg	1	E
0005-58500-0000	Anchor, Wall	4	F
0005-58200-0001	Screw, Bracket Mounting, ST4.2*40, Phillips,	4	G
0005-58110-0000	Bracket, Mounting, Power Leg, 3/4 size	1	H
0005-51900-0001	Wrench, Hex, 6mm	1	I
0005-58120-0007	Collar, Leg, Polished, Square	4	J
0005-58170-0001	Collar, Leg, Gold, Square	4	J
0005-58180-0003	Collar, Leg, Black, Square	4	J
0005-58790-0000	Plug, Plastic, Power Leg	1	K
0005-51900-0000	Wrench, Hex, 2.5mm	1	L
0005-58120-0006	Leg, Mounting, Power, Polished, Square	1	M
0005-58170-0002	Leg, Mounting, Power, Gold, Square	1	M
0005-58180-0004	Leg, Mounting, Power, Black, Square	1	M
AK05-58020-0003	Parts Kit, Sierra, Metropolitan, Power Leg, Polished	1	N/S
AK05-58070-0000	Parts Kit, Sierra, Metropolitan, Power Leg, Gold	1	N/S
AK05-58080-0001	Parts Kit, Sierra, Metropolitan, Power Leg, Black	1	N/S

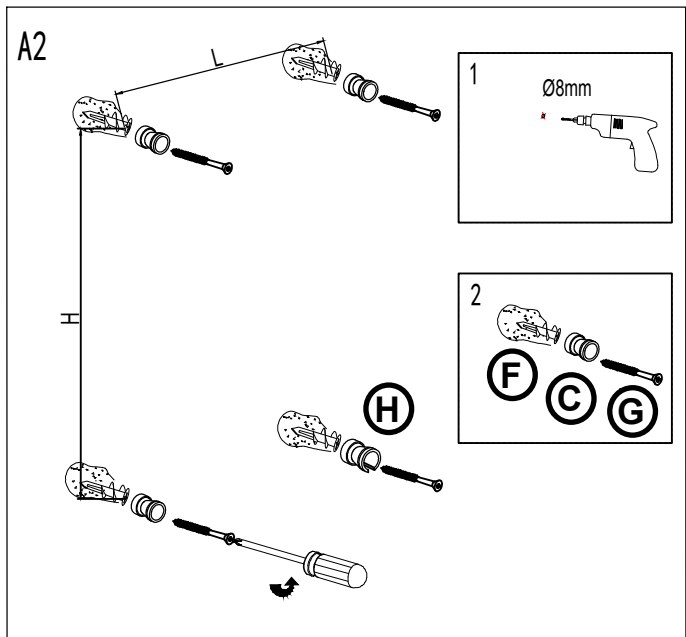
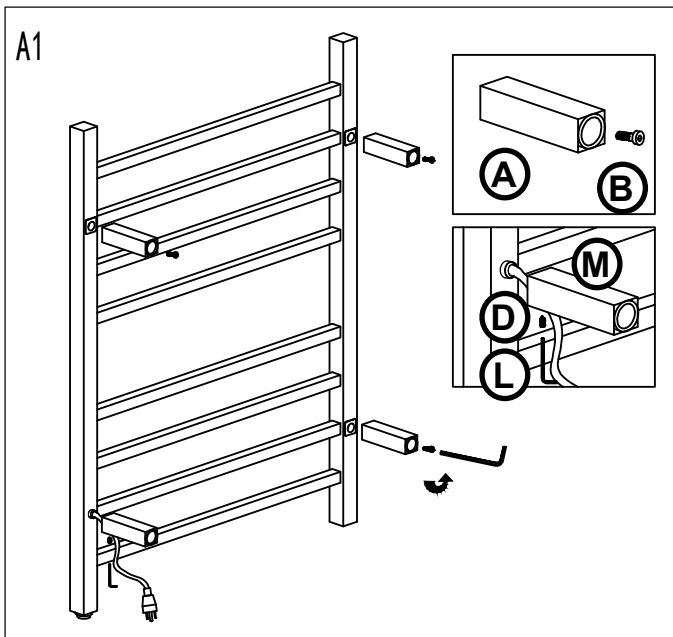
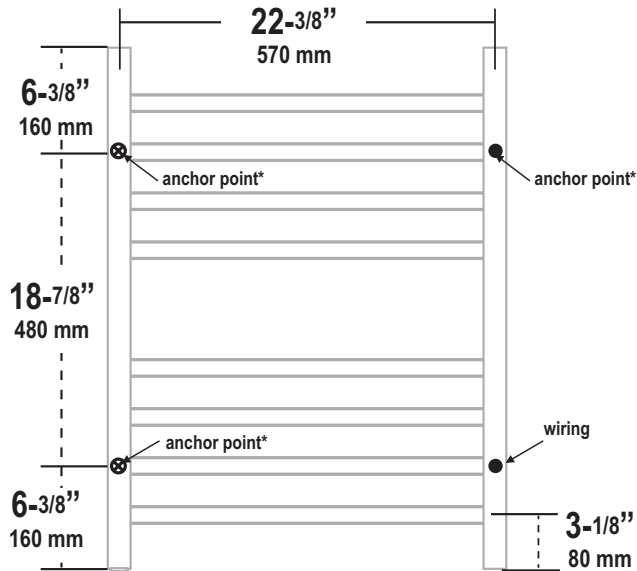
Installation Instructions (Plug-in)

tools required



Installation instruction

- Review instructions carefully before installation
- installation should be completed by a suitably qualified person
- please dispose of packaging in a responsible manner



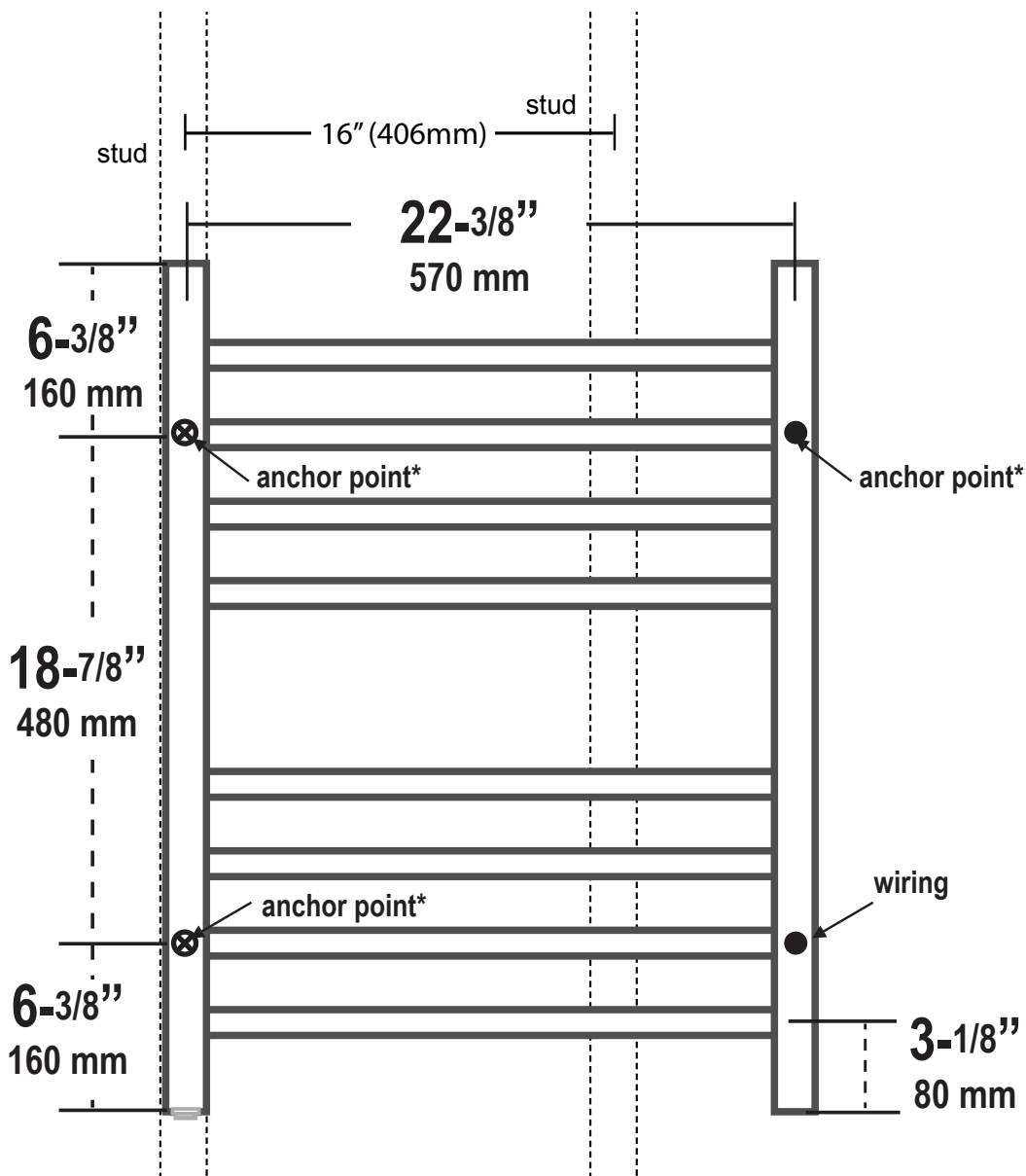
Affixing the Towel Warmer to the Wall

Note: Dimensions shown are distances between the center of anchor points. This example shows 16" on center construction. Your situation may vary depending on your stud spacing.

WARNING: 

Locations of anchor points may vary. Measure all dimensions prior to rough-in and installation.

Infinity: Anchor Points



* Note: Left anchor points should be attached to a stud, if possible.

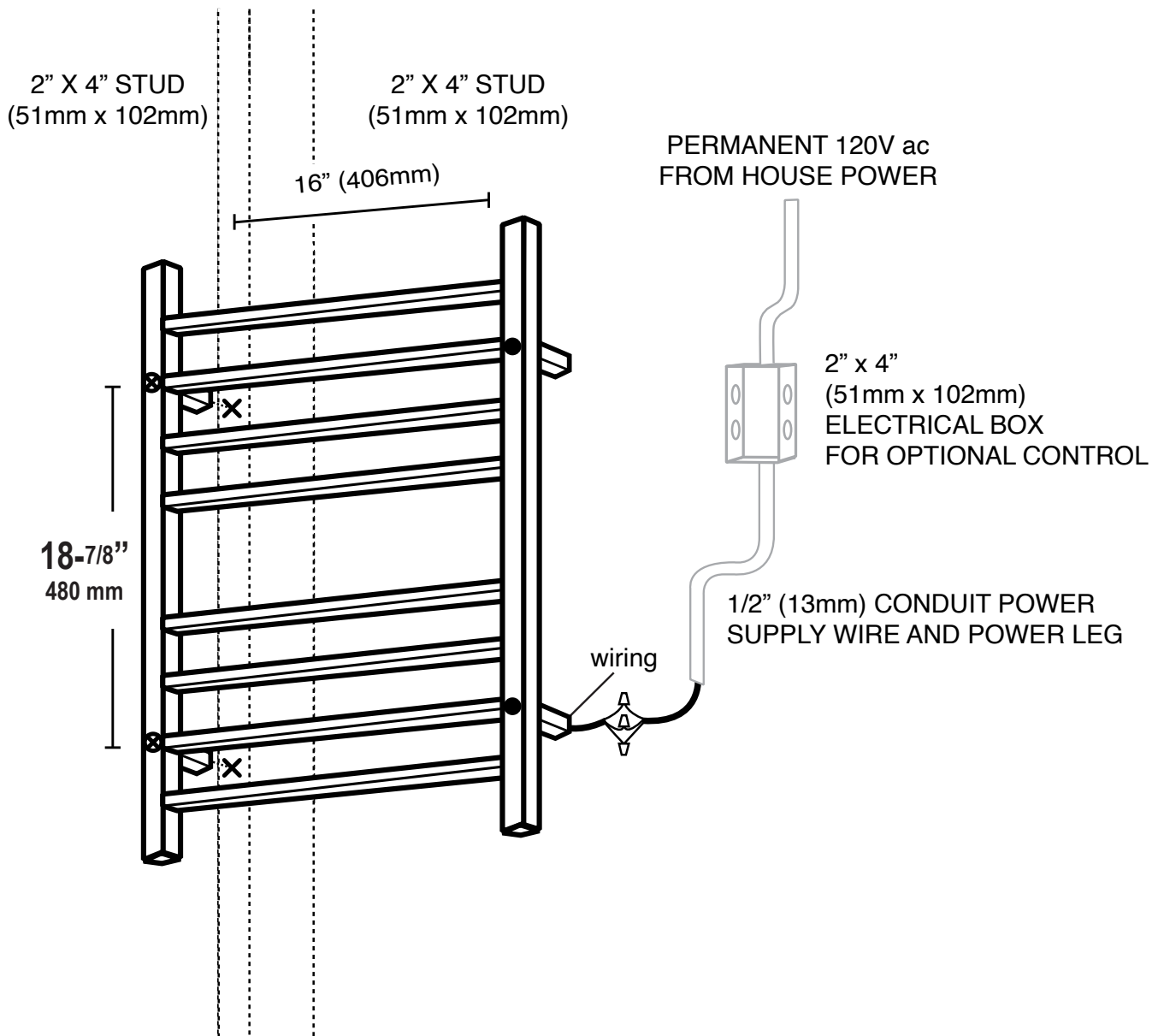
Affixing the Towel Warmer to the Wall

Rough-In Diagram (Hardwired Models Only)

Note: Dimensions shown are distances between the center of anchor points. This example shows 16 inches on center construction. Your situation may vary depending on stud spacing.

WARNING: 

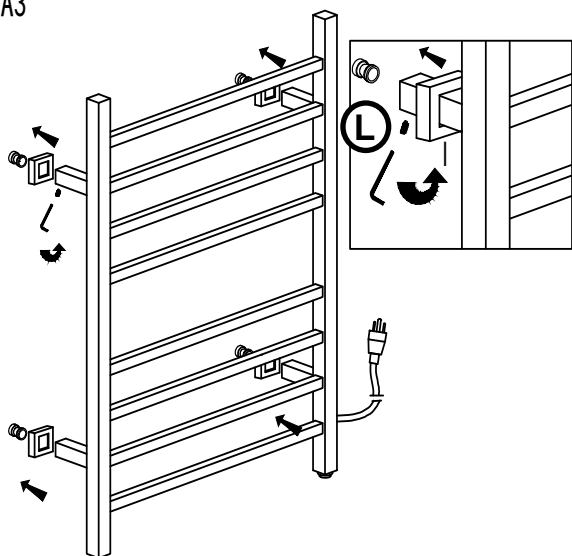
Locations of anchor points may vary. Measure all dimensions prior to rough-in and installation.



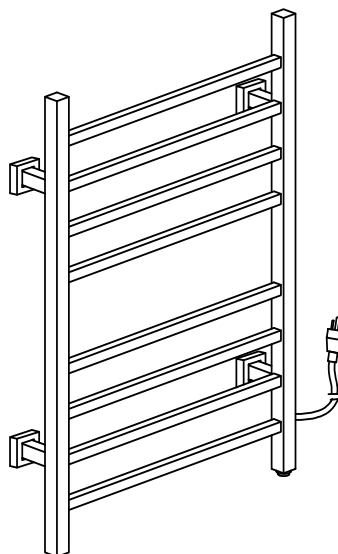
* Note: Left anchor points should be attached to a stud, if possible.

Installation Instructions (Plug-in)

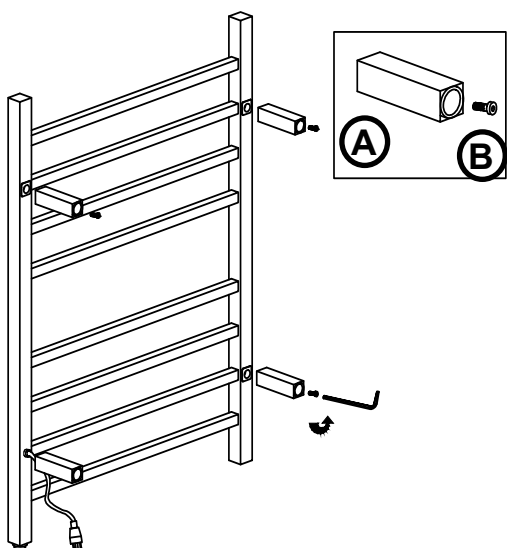
A3



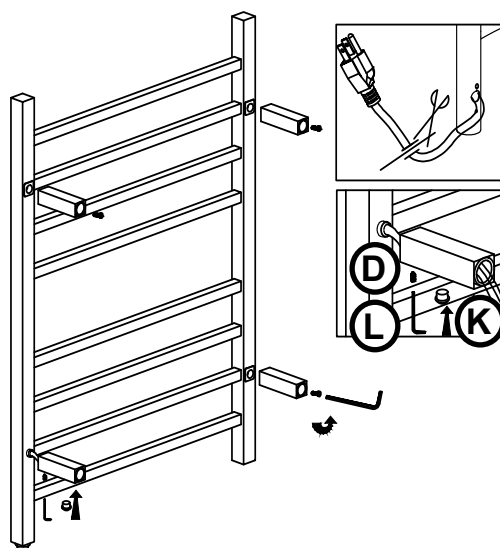
A4



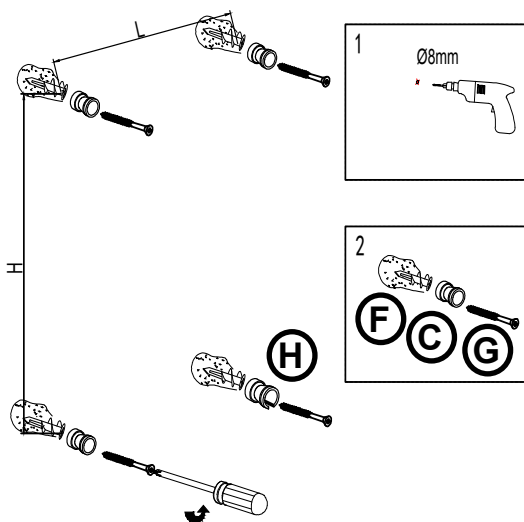
B1



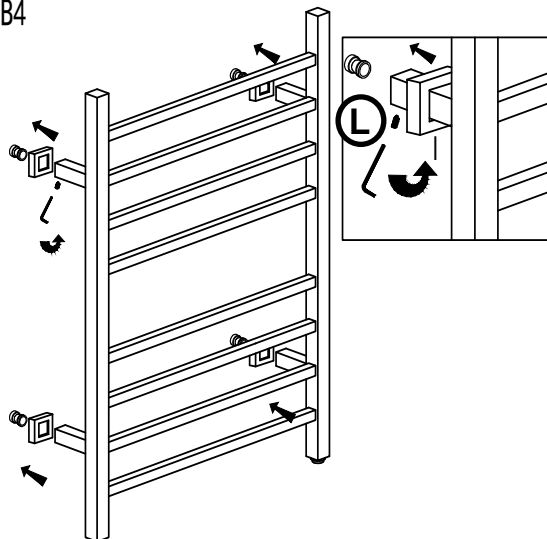
B2



B3



B4



Bracket Assembly Instructions (continued)

Plug-In Model Only

Plug the cord into a properly grounded outlet. Do NOT use an extension cord to make the connection between the towel warmer plug and outlet.

Step 1

Hold the towel warmer in place while tightening the hex-head screws **D** at the base of each section of tubing **A** using the smaller Allen wrench **L** provided to secure the towel warmer in place.

Step 2

Make sure the unit is turned on using the ON/OFF switch located at the bottom rail on the left side (when facing the towel warmer). A light will illuminate the switch when the switch is turned to the "ON" position. Refer to **Diagram D** for switch location.

Diagram D



Bracket Assembly Instructions (continued)

Step 3

Measure for bracket positions using the template if desired. At least two brackets must be attached to a stud.

Step 4

Affix brackets **C and H** to the wall using screw **G** and drywall anchor **F** where necessary.

Repeat Step 4 for the remaining brackets.

Step 5

Place and orient the legs **A and M** with the threaded inserts located at four points on the back of the towel warmer. Affix legs (**A and M**) to the threaded inserts with bolt **B** and tighten using the large Allen wrench **I** provided.

Repeat Step 5 for the remaining sections of tubing.

Step 6

Loosen the hex-head screws **D** at the base of each section of legs **A** using the smaller Allen wrench **L** provided. Hang towel warmer by aligning and sliding all four sections of legs **A and M** over bracket **C and H**. Partially tighten hex-head screws **D** at the base of each section of tubing **A and M** to hold the towel warmer in place but do NOT fully secure the fasteners at this time. Verify that bracket **H** is rotated to allow set screw to engage to it.

Hardwired Assembly and wiring

Step 1. Cut power cord as shown.

Step 2. Remove Power Leg.

Step 3. Install plastic plug into Power Leg.

Step 4. Using the template marking made on the wall, drill hole for power cord, and fish power supply cord out of the wall. Place $\frac{3}{4}$ size mounting bracket **H** on the wall and make a mark for the mounting hole.

Step 5. Using an 8mm drill bit, drill hole for the mounting bracket.

Step 6. Insert wall anchor into wall, next to the power cord.

Step 7. Use screw to attach $\frac{3}{4}$ size mounting bracket.

Step 8. Place collar onto Power Leg and feed power supply cord through the Power Leg.

Step 9. While having assistant hold the towel warmer in place, make power connections. See connection section in this manual.

Step 10. Push connected wires into Power Leg.

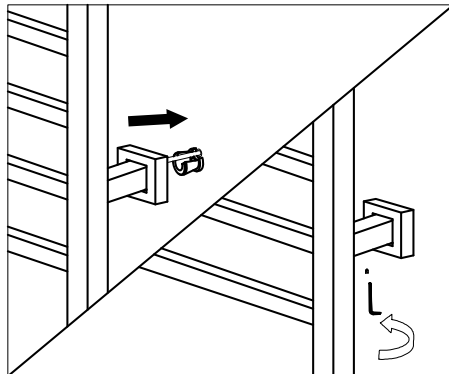
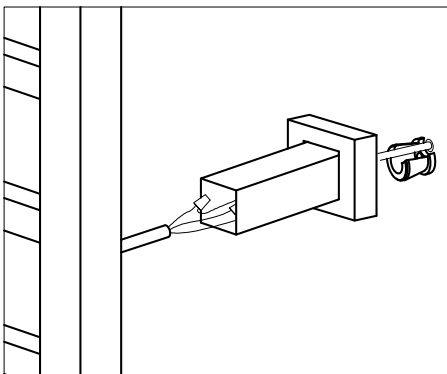
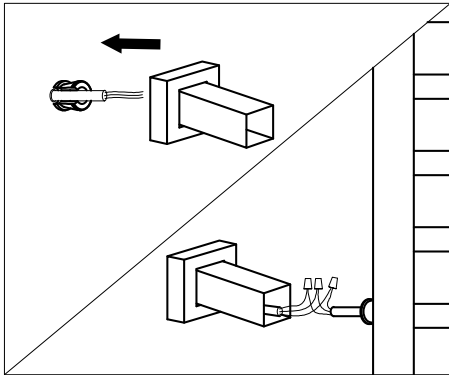
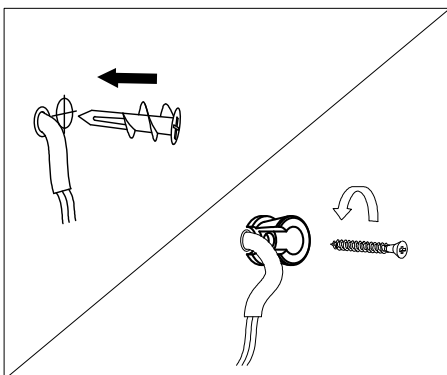
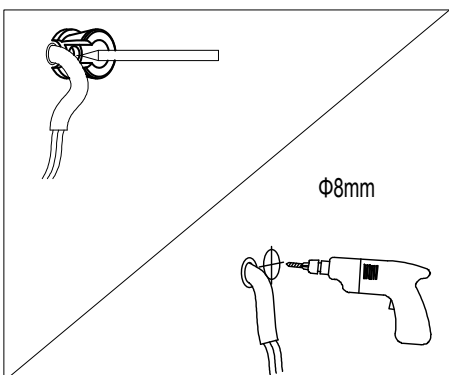
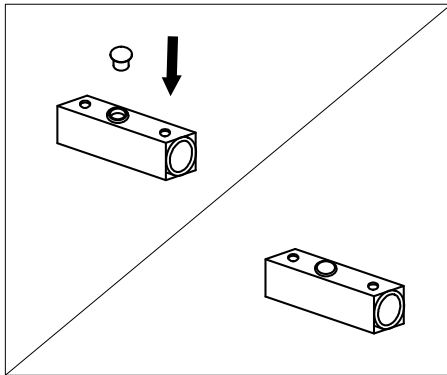
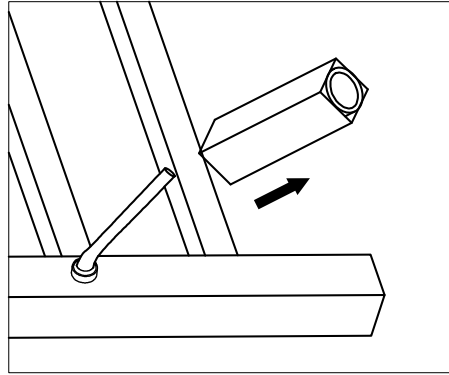
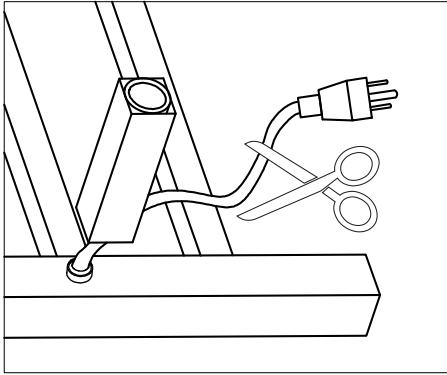
Step 11. Push towel warmer onto all 4 mounting brackets.

Step 12. To fasten the towel warmer to the wall, tighten the 2 set screws on the Power Leg and tighten the single set screw on the 3 other legs.

Step 13. Have a licensed electrician make connections to the GFCI protected circuit.

Step 14. Remove plastic shipping caps from vertical bars of towel warmer.

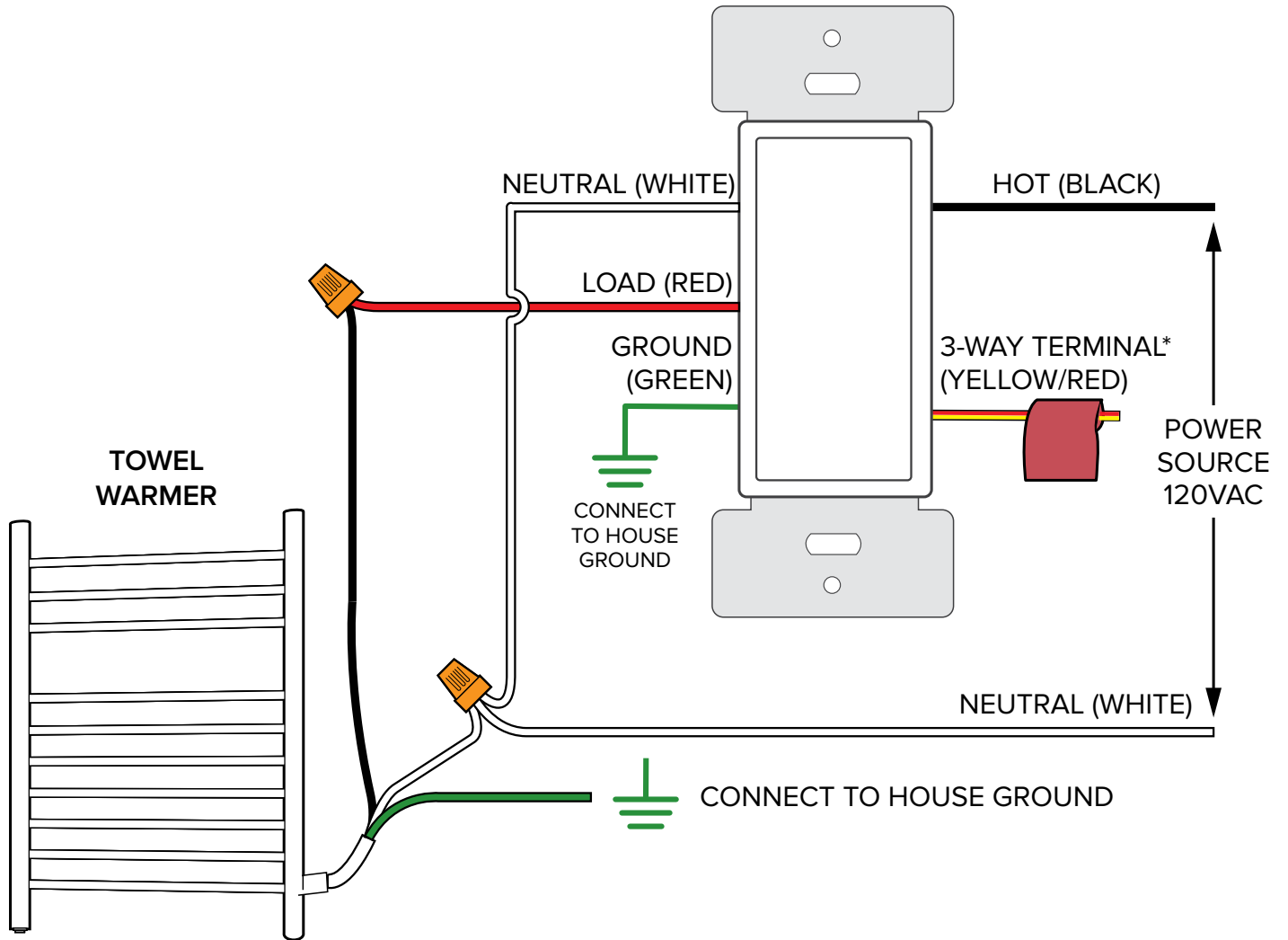
Hardwire Assembly and Wiring (Diagram E)



This wiring method is approved and Listed by ETL, and complies with the National Electric Code Handbook. This product should be installed in accordance with all local Electrical and Building Codes.

Electrical Considerations

Diagram F: Wiring Diagram (hardwired models only)



WarmlyYours Towel Warmer Warranty

WarmlyYours.com Inc. warrants the WarmlyYours towel warmers (“the Product”) to be free from defects in materials and workmanship for two years from the date of sale, provided that the Product is installed in accordance with the accompanying Installation and Operation Manual and any special written design or installation guidelines provided by WarmlyYours.com Inc. for this product, the National Electric Code (NEC) and Canadian Electrical Code (CEC), and all applicable local building and electrical codes. Controls sold under the WarmlyYours.com Inc. name are warranted for one year from the date of sale.

Any suspected defect must be reported by registered letter immediately upon discovery. The determination of such a defect must be made by WarmlyYours.com Inc. or its authorized representative only. This warranty is null and void if the product is improperly installed, improperly operated, or abused. WarmlyYours.com Inc. assumes no responsibility under this warranty for any damage to the product caused by any trades person, or visitor on the job site, or damage caused as a result of post installation work.

Under this Limited Warranty, WarmlyYours.com Inc. will provide the following remedy:

If the Product is determined to be defective in materials and workmanship, and has not been damaged as a result of misuse or misapplication, WarmlyYours.com Inc. will refund the original purchase price or replace the towel warmer, at WarmlyYours.com Inc. expense. WarmlyYours.com Inc. will not be liable for the labor required to replace the towel warmer.

The Limited Warranty is null and void if the project owner or his representative attempts to repair the Product without receiving authorization. Upon notification of a real or possible problem, WarmlyYours.com Inc., will issue an Authorization to Proceed under the terms of the Limited Warranty.

WARMLYYOURS.COM INC. DISCLAIMS ANY WARRANTY NOT PROVIDED HEREIN, INCLUDING ANY IMPLIED WARRANTY OF MERCHANTABILITY OR IMPLIED WARRANTY OF FITNESS FOR A PARTICULAR PURPOSE. WARMLYYOURS.COM INC. FURTHER DISCLAIMS ANY RESPONSIBILITY FOR SPECIAL, INDIRECT, SECONDARY, INCIDENTAL, OR CONSEQUENTIAL DAMAGES ARISING FROM OWNERSHIP OR USE OF THIS PRODUCT, INCLUDING INCONVENIENCE OR LOSS OF USE. THERE ARE NO WARRANTIES WHICH EXTEND BEYOND THE FACE OF THIS DOCUMENT. NO AGENT OR REPRESENTATIVE OF WARMLYYOURS.COM INC. HAS ANY AUTHORITY TO EXTEND OR MODIFY THIS WARRANTY UNLESS SUCH EXTENSION OR MODIFICATION IS MADE IN WRITING BY A CORPORATE OFFICER.

Please fill in warranty card information at
<http://www.warmlyyours.com/towel-warmers/warranty>
or call (800) 875-5285 to register via phone.