

 Electronic Snow and Ice Sensor

# POWER MODULATOR SNOW/ICE AERIAL SENSOR



## Features & Benefits

- › 24VAC operated
- › Fits to Power Modulator Wall-Mounting Bracket or vertical pole
- › Anti-bird nesting spikes
- › Plastic cap for summertime – protect from dust and dirt
- › Up to 4 Power Modulator Snow/Ice Aerial sensors can be chained into one Power Modulator Snow/Ice Aerial controller
- › 4-wire installation – 30-foot cable supplied with the sensor
- › Adjustable RH sensitivity from Power Modulator controller
- › Technician testing/commissioning mode for easy and fast system testing all year long (even during summer or at high temperatures)



Power Modulator  
Snow/Ice Aerial Sensor

Energy Efficient  
Algorithm



Simple user interface  
for parameters set  
from Power Modulator  
controller

Adjustable  
Set Points



# POWER MODULATOR SNOW/ICE AERIAL SENSOR

## About the Power Modulator Snow/Ice Aerial Sensor

The Power Modulator Snow/Ice Aerial Sensor is a stylish, smart and reliable snow and ice sensor. Installed outdoors, it measures the temperature and detects snow, sending the information via the Power Modulator controller to the heating system.

The Power Modulator Snow/Ice Aerial Sensor is connected to the Power Modulator Controller with a 30-foot (10 m), 24V 4-wire cable that communicates with the controller, providing the temperature value and the snow detection based on the adjustable parameters.

The plastic "igloo" shape design helps to assure reliable snow/ice detection as it prevents the snow from accumulating around the sensing area.

The 4 holes around the sensors were designed to hold the antinesting spikes, keeping birds away from the sensor.

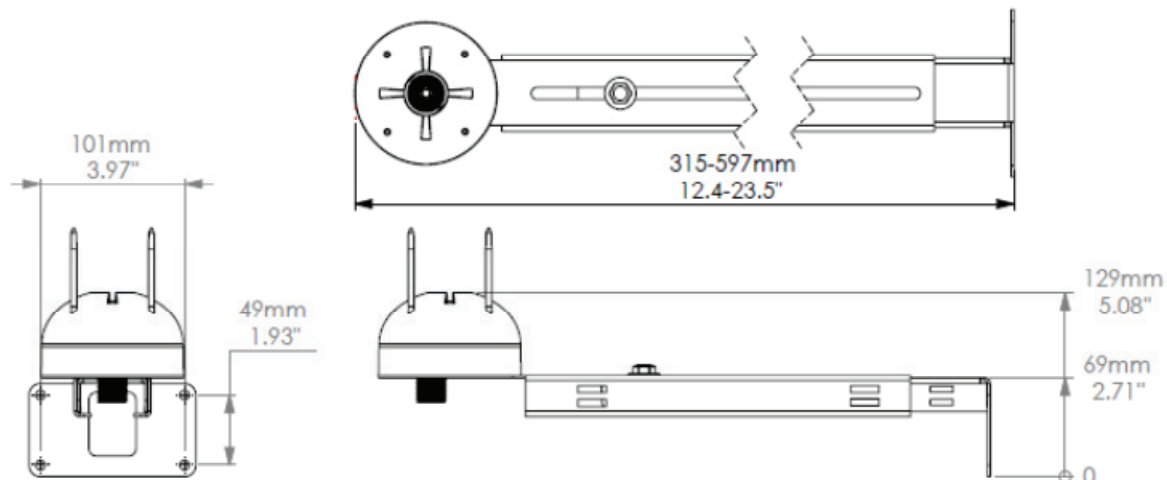
The sensor cap helps to keep the sensing area clean from dust and dirt during summertime and when the snow-melting system is not used.

The measured temperature and the snow detection are visible on the backlit LCD display of the Power Modulator controller.

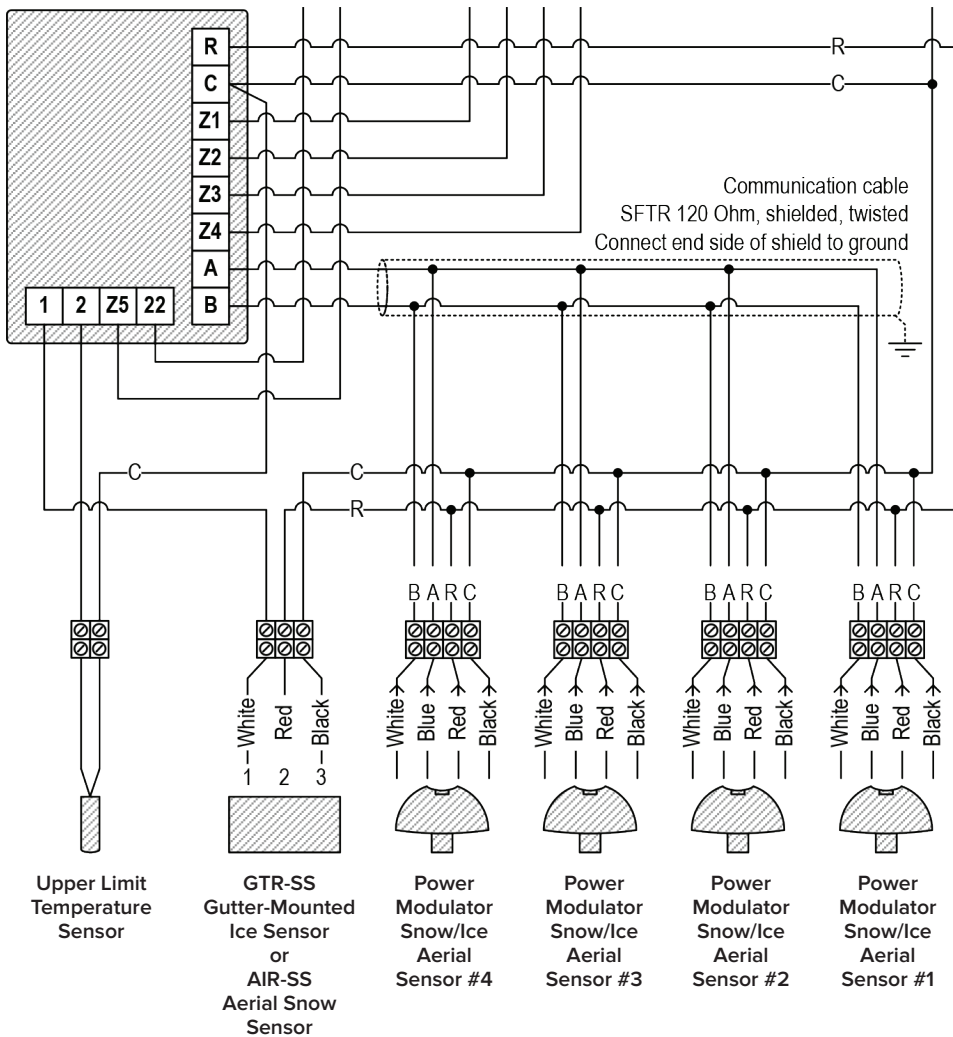
The Power Modulator system can work with up to 4 Power Modulator Snow/Ice Aerial Sensors chained one after the other and link the 4 output zones of snow melting to the Power Modulator Snow/Ice Aerial Sensors. A special sensor with a pre-defined address is needed as an additional sensor besides the Power Modulator Snow/Ice Aerial Sensor that is active as #1.

Power Modulator Snow/Ice Aerial Sensor #2, #3 and #4 are the required sensors when 2, 3 or 4 sensors are needed. Each snow sensor must have a different MAC (Media Access Control) address in order to communicate with the main board.

## Dimensions



# POWER MODULATOR SNOW/ICE AERIAL SENSOR



## Wiring Diagram

For more information, operating and technical manuals, please refer to

[www.warmlyyours.com](http://www.warmlyyours.com).

\*Product specifications are subject to change.

## Technical Specifications

Enclosure Protection	IP20, Indoor Mounting	Communication	RS485
Entries	30 ft. (10 m) Four-wire cable: <ul style="list-style-type: none"> <li>• 2x18AWG supply wires</li> <li>• 2x22AWG communication wires</li> </ul> Optional: can be lengthened up to 450 ft. with extended wire	Operating temp.	-40°F to 122°F (-40° C to 50°C)
Mounting	Outdoor mounting on Power Modulator Wall-Mounting Bracket or vertical pole NPT ½" Thread	Storage temp.	-50°F to 158°F (-40°C to 70°C)
Material	ASA WR9160		
Supply	24VAC±20%,50-60Hz,4W		