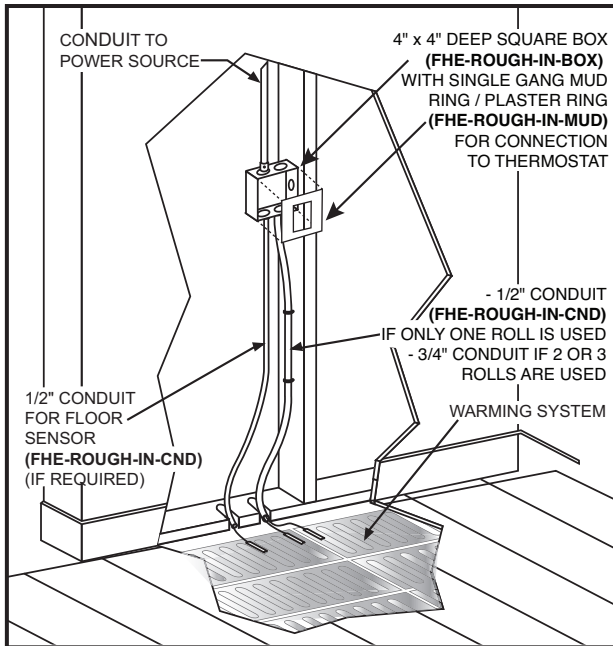


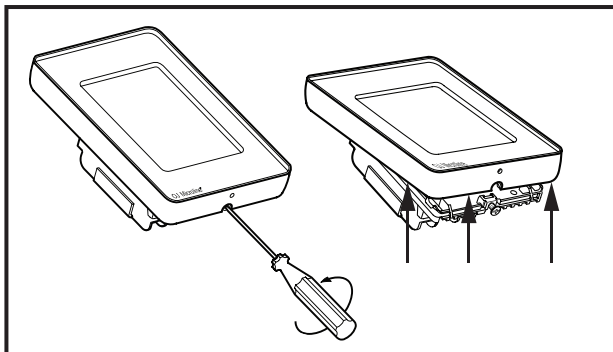
WIRING DIAGRAM

For 120V & 240V **Environ™ Heating Products** with nSpire Touch Wi-Fi (UWG4), nSpire Touch (UDG4), nHance (UDG), nTrust (UTN4), nJoin (USG)

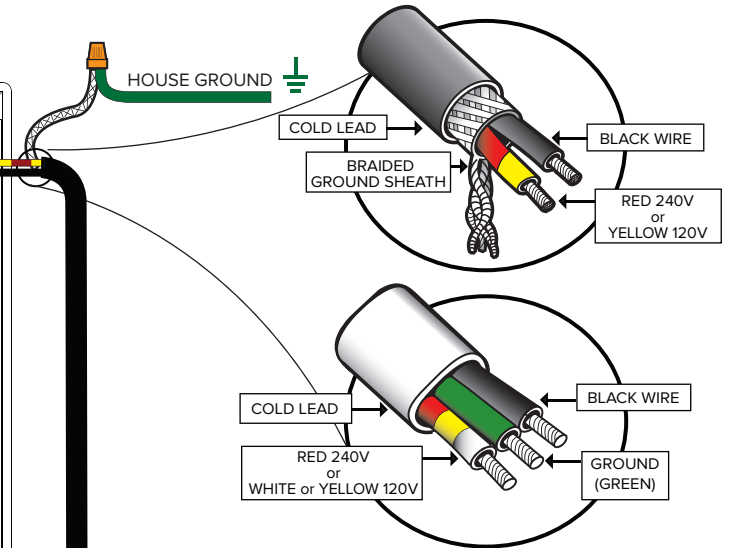
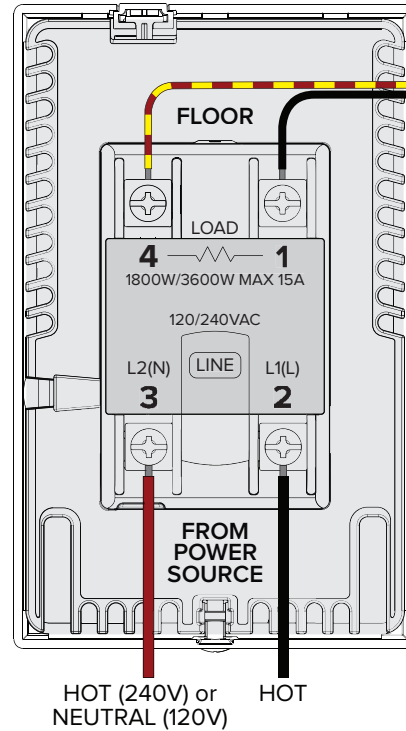
ELECTRICAL ROUGH-IN



FACEPLATE REMOVAL

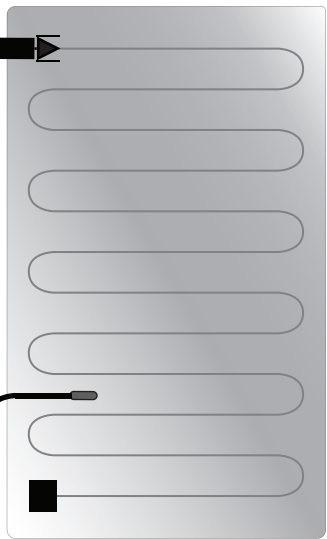
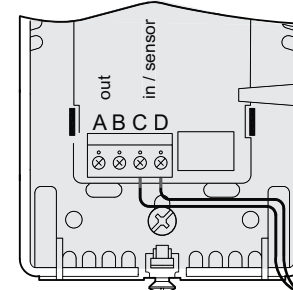


REAR OF THE BASE



1. MAT HAS NO POLARITY
2. COLD LEAD IS 15 FT (30 FT FOR EASY MATS)
3. DO NOT SHORTEN MAT
4. DO NOT CUT THE HEATING WIRE
5. ALWAYS TEST OHMS OF ROLL BEFORE, DURING AND AFTER INSTALLATION
6. ALWAYS TEST SENSOR AND VERIFY 8-15 K OHM RESISTANCE
7. NEVER INSTALL ELECTRIC FLOOR HEATING UNDER PERMANENT FIXTURES
8. THE INSTALLATION MUST COMPLY WITH ALL NATIONAL AND LOCAL ELECTRICAL AND BUILDING CODES, INCLUDING AUTHORITY HAVING JURISDICTION.

FRONT OF THE BASE

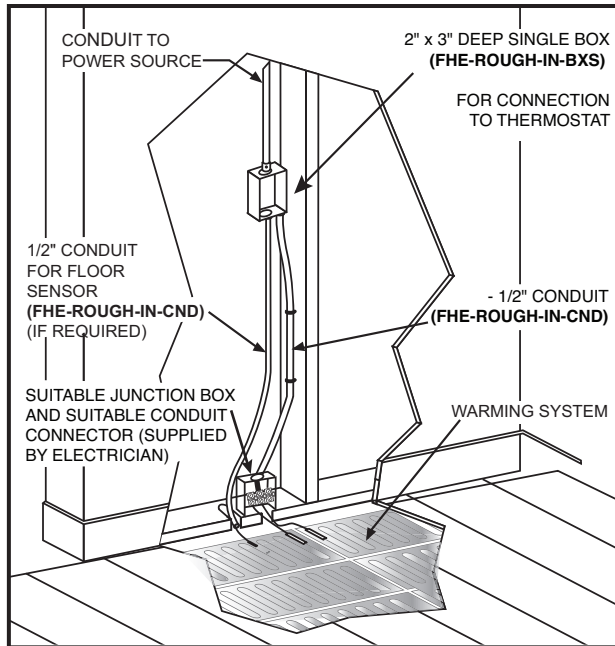


ENSURE THE SYSTEM IS GROUNDING

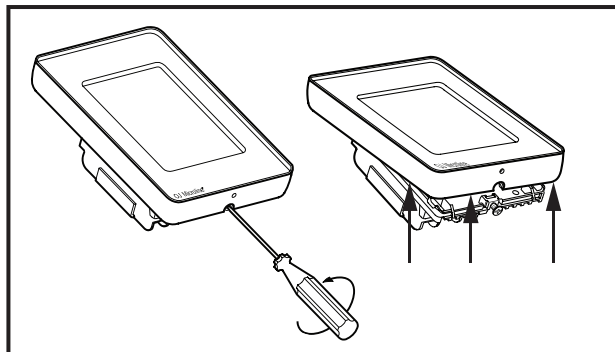


For 120V & 240V **Environ™ Heating Products** with nSpire Touch Wi-Fi (UWG4), nSpire Touch (UDG4), nHance (UDG), nTrust (UTN4), nJoin (USG) using a junction box

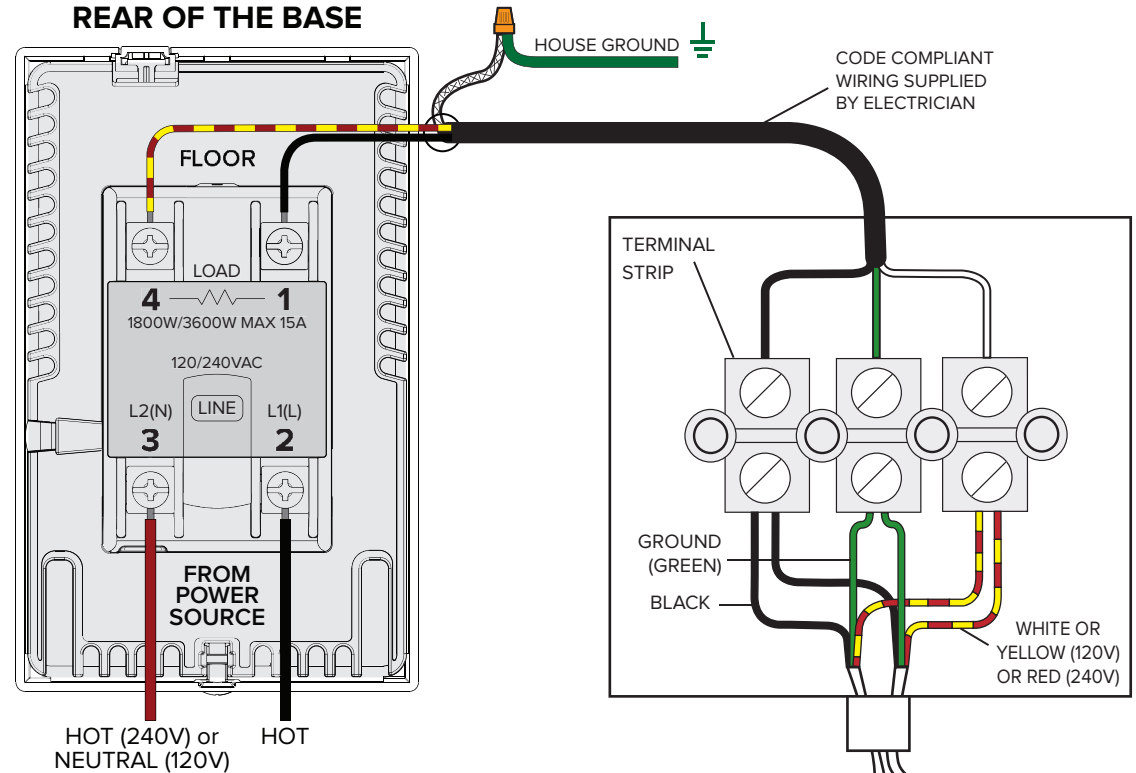
ELECTRICAL ROUGH-IN



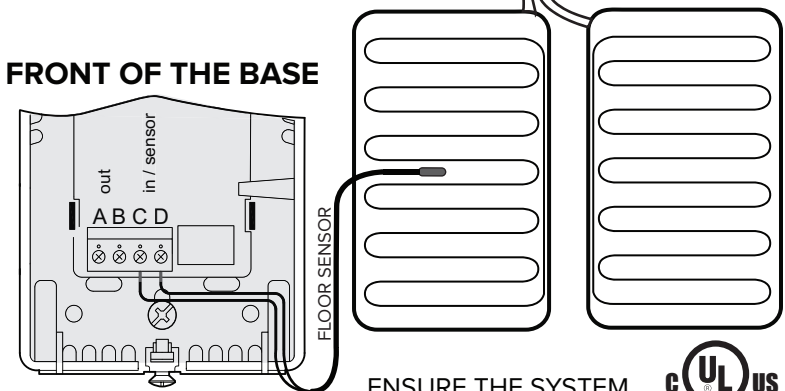
FACEPLATE REMOVAL



REAR OF THE BASE



FRONT OF THE BASE



1. MAT HAS NO POLARITY
2. COLD LEAD IS 15 FT (30 FT FOR EASY MATS)
3. DO NOT SHORTEN MAT
4. DO NOT CUT THE HEATING WIRE
5. ALWAYS TEST OHMS OF ROLL BEFORE, DURING AND AFTER INSTALLATION
6. ALWAYS TEST SENSOR AND VERIFY 8-15 K OHM RESISTANCE
7. NEVER INSTALL ELECTRIC FLOOR HEATING UNDER PERMANENT FIXTURES
8. THE INSTALLATION MUST COMPLY WITH ALL NATIONAL AND LOCAL ELECTRICAL AND BUILDING CODES, INCLUDING AUTHORITY HAVING JURISDICTION.